

LA38-B2 series button

Corporate Culture

Vision:

To make our company to be one of the leading enterprises in the industry of our domestic master-control electrical appliances with low-voltage and the construction machinery lighting.

Our Mission:

To provide customers with the best quality, the shortest delivery period, the best cost-effective products and optimal service!

Values:

Customer-oriented, never forget the mission; Pragmatic innovation, win-win cooperation!



Company Profile



Jiangyin Changjiang was built in 1992, the first company who designed the low voltage signal lamp with LED technology, and it was been used and produced. At the same time, created the brand of “Changjiang Electric Appliance” and gradually build it into a famous brand in China.

After 30 years of trials and hardships, the company has developed into a leader in the lighting industry of electrical appliances and construction machinery. The main products include: signal lamp, button, transfer switch, current transformer and construction machinery lighting, etc., widely used in the electric power, construction machinery, industrial control, elevator, communication, rail transit, new energy and other industries. The company's products are novel in design and reliable in performance, which are widely recognized by downstream customers, including many well-known enterprises.

We adhere to be customer-oriented, rapidly response to our customers' non-standard customization needs, and strive to provide excellent solutions for customers; We adhere to the technical innovation as the support, and constantly expand our R&D team to focus on the product's development and upgrading; We insist on doing excellence in every detail, continuous optimization and improvement, and strive to provide superior quality and service for customers.

公司资质

ENTERPRISE QUALIFICATION

ENTERPRISE HONOR

HONOR ARTICLES



高新技术企业证书

企业名称: 江阴长江电器有限公司
发证时间: 2022年12月12日
批准机关: 江苏省科学技术厅

证书编号: GR202232010328
有效期: 三年



质量管理体系认证证书
QUALITY MANAGEMENT SYSTEM CERTIFICATE

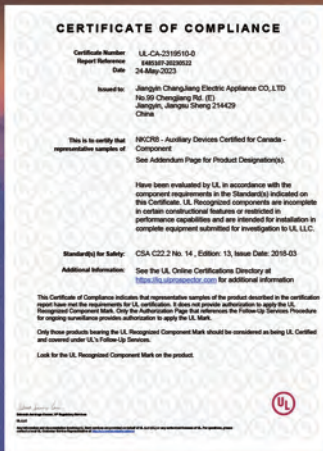
认证范围: 江阴长江电器有限公司
Jiangyin Changjiang Electric Appliance Co., Ltd.

证书编号: GR202232010328



型式认可证书
CERTIFICATE OF TYPE APPROVAL

认证范围: 江阴长江电器有限公司
Jiangyin Changjiang Electric Appliance Co., Ltd.



CERTIFICATE OF COMPLIANCE

认证编号: LC-CA-2319510-0
发证日期: 2023年02月23日

认证范围: 江阴长江电器有限公司
Jiangyin Changjiang Electric Appliance Co., Ltd.



产品认证证书
II型自愿认证

认证范围: 江阴长江电器有限公司
Jiangyin Changjiang Electric Appliance Co., Ltd.



CERTIFICATE OF PRODUCT CERTIFICATION
TYPE II CQC CERTIFICATION

认证范围: 江阴长江电器有限公司
Jiangyin Changjiang Electric Appliance Co., Ltd.



TEST REPORT
EN 60474-1
Part 5: Control circuit devices and switching elements
Electromechanical control circuit devices

报告编号: EN60474-1-2017



Zertifikat

认证范围: 江阴长江电器有限公司
Jiangyin Changjiang Electric Appliance Co., Ltd.



CERTIFICATE
of Conformity
Low Voltage Directive 2014/35/EU

注册编号: AN 90504386 0001
报告编号: CN2177H 001



Zertifikat

认证范围: 江阴长江电器有限公司
Jiangyin Changjiang Electric Appliance Co., Ltd.



CERTIFICATE
of Conformity
Low Voltage Directive 2014/35/EU

注册编号: AN 90504386 0001
报告编号: CN2177H 001

CONTENTS

● B2B series

Technical Specification.....	1
Flat, projecting, silicone booted and flat illuminated head button.....	5
Double and double illuminated head button.....	7
Mushroom and mushroom illuminated head button.....	8
Emergency stop button.....	9
Short, long, key and illuminated handle selector switch.....	10
Accessory.....	12

● B2A、 B2C series

Technical Specification.....	14
Flat and flat illuminated head button.....	16
Double and double illuminated head button.....	18
Emergency stop button.....	19
Short and key handle selector switch.....	20

● Accessory

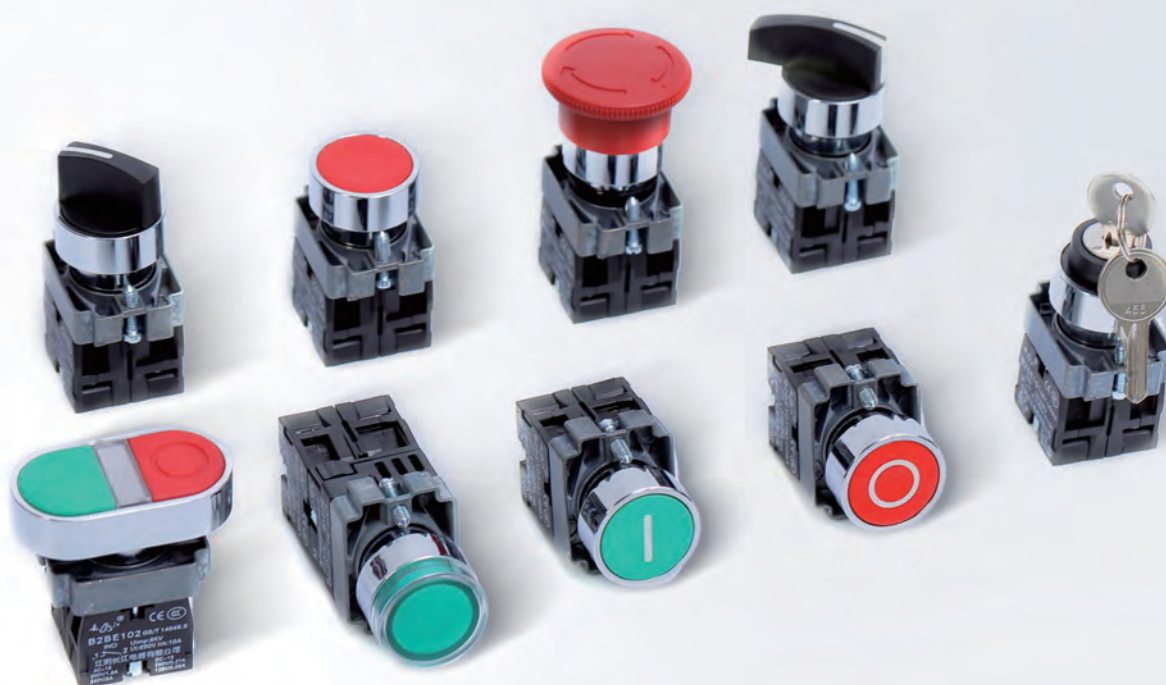
Contact, light and locking blocks.....	21
Legend, protected cover, etc.....	22






B2B series

B2B系列按钮




Technical Specification
Applicable environment

Standard	UL508/60947-1, EN60947-5-1, GB14048.1, GB/T14048.5
Certification	 TUV, CSA, CE, CCC, CCS
Salt spray	TH
Temperature	Working: - 25 ~ +70°C, Storage: - 40 ~ +70°C
Vibration	Mushroom: 8 g, others: 15 g (40 Hz f <math>< 500</math> Hz), IEC 68-2-6
Shock	Pushbutton: 70g, Mushroom: 15g, Selector switch: 200g, IEC68-2-27
ESP	I, IEC536&NFC20-030
Protection	Emergency stop button: IP66, others: IP65
Mechanical life	Pushbutton: 3 000 000, Emergency stop button: 300 000, Selector switch: 1 000 000
Electrical life	Pushbutton: more than 100 000

Contact characteristic

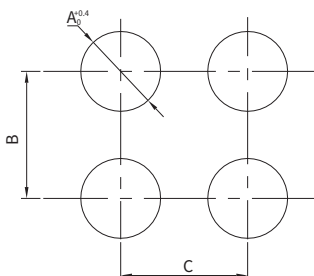
Rated characteristic	AC-15 : $U_e=240V, I_e=3A$; $U_e=380V, I_e=1.9A$ DC-13 : $U_e=250V, I_e=0.27A$; $U_e=125V, I_e=0.55A$
Rated insulation voltage	$U_i=690V$, Pollution degree 3
Rated impulse resistance voltage	$U_{imp}=6kV$
Action	Slow(NO or NC), NC is direct disconnect
Reliability	Safety device(Emergency stop button): NC is reliable breaking, IEC 60947-5-1 part 3
Connector	CENELEC EN50013
Short circuit protection	10A gl core type IEC269-1, VDE0660-200
Rate power	EN60947-5-1 Annex C, Suitable for AC-15 and DC-13 Operating frequency: 3600 times/hrs
Wiring	Screw: min: $1 \times 0.5mm^2$, max: $2 \times 1.5mm^2$ or $1 \times 2.5mm^2$ Tightening torque: 0.8N.m

Light source characteristic

Standard	EN60947-5-1, GB/T14048.5
Light source	LED
Rated voltage	ACDC6V, 12V, 24V, 36V, 48V, 60V, 110V, 127V, 220V, 380V
Life cycle	more than 30 000hrs
Voltage limit	$0.85U_e < U < 1.1U_e$
Color	

Mounting hole size

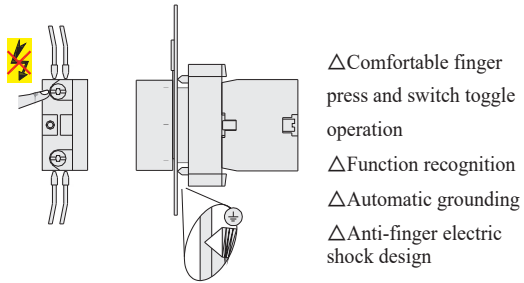
Thickness of mounting panel: 0.5-5mm



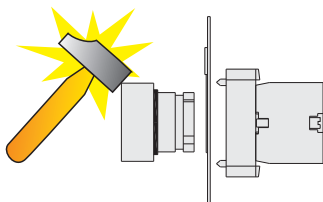
Head Type	A	B	C	Note
Flat	φ22.3	≥50	≥35	1. Unit:mm 2. B and C is minimum size
Switch		≥50	≥35	
Mushroom		≥50	≥42	
Oversize mushroom		≥70	≥70	
Double		≥60	≥35	

Technical Specification

Structural features

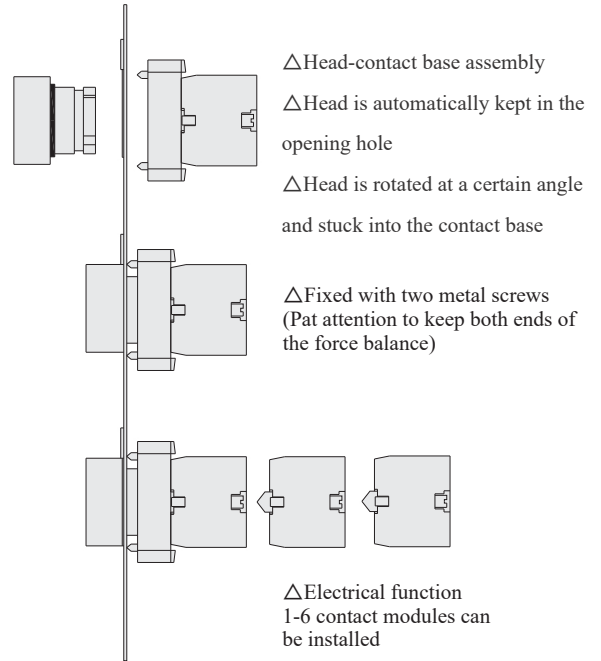


- △ Comfortable finger press and switch toggle operation
- △ Function recognition
- △ Automatic grounding
- △ Anti-finger electric shock design



- △ Chrome-plated metal head and mounting base
- △ Shock-proof screw terminal
- △ Solid, reliable, UP to three millions mechanical life
- △ Up to 30 000hrs LED indicator life

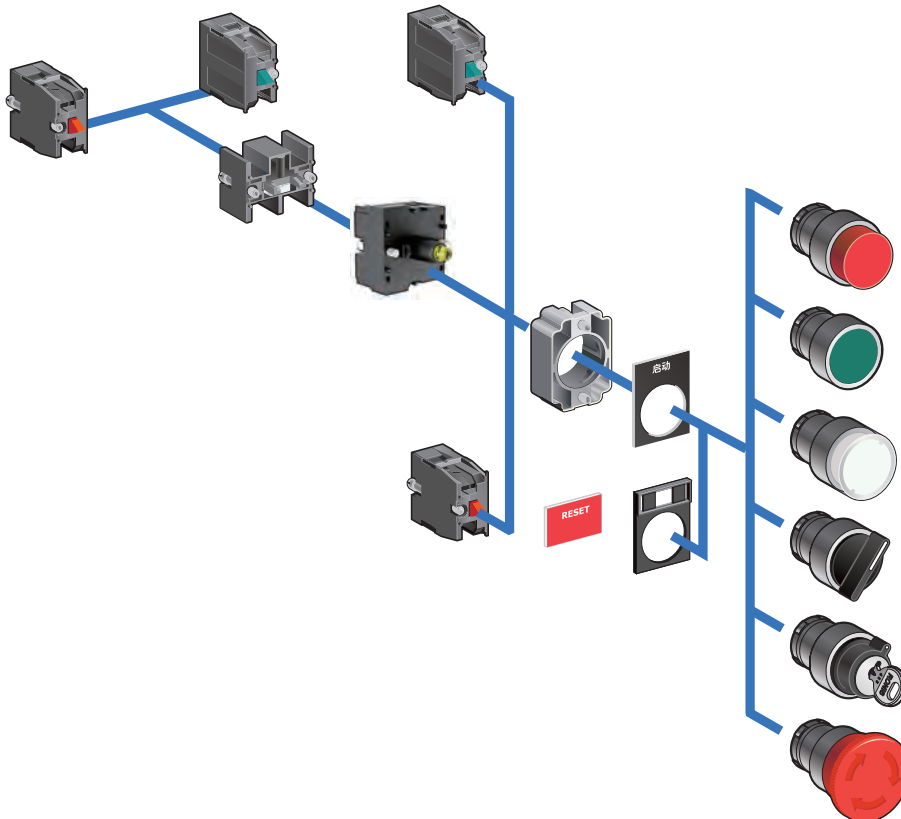
Installation method



- △ Head-contact base assembly
- △ Head is automatically kept in the opening hole
- △ Head is rotated at a certain angle and stuck into the contact base
- △ Fixed with two metal screws (Pat attention to keep both ends of the force balance)

- △ Electrical function
- 1-6 contact modules can be installed

Composition and accessories


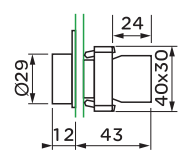

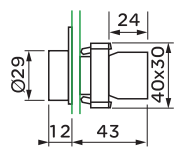


● Flat, projecting, silicone booted and flat illuminated head button

Model

Model	Series	House	Head	Color	Indicator	Contact	Operation	Voltage
LA38	B2	B	A	3	31	1	S	
LA38	B2	B : Metal	A: Flat L: Projecting P: Silicone booted W2: Monolithic metal and flat illuminated W3: Flat illuminated	1: W 2: K 3: G 4: R 5: Y 6: B 16: W 36: G 46: R 56: Y 66: B	Blank : none 31 : I 32 : O 33 : ↑ 34 : STOP 36 : II Customized Blank : none Blank : none	1 : NO 2 : NC 3 : 3NO 4 : 2NC 5 : NO+NC 6 : 2NO+1NC 7 : 3NO+1NC 8 : 3NO 9 : 2NO+2NC A : 4NO B : 4NC C : 5NC D : 1NO+2NC E : 5NO F : 4NO+1NC G : 6NC H : 1NO+3NC J : 3NC	Blank : self-reset S : self-locking	Blank: none AC DC 6V AC DC 12V AC DC 24V AC DC 36V AC DC 48V AC DC 60V AC DC 110V AC DC 127V AC DC 220V AC DC 380V

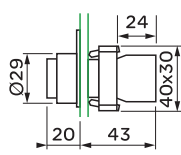
Flat head button

Description	Color	Contact		Model	Weight (kg)	Size
		NO	NC			
 LA38-B2BAΔO	○	1		LA38-B2BA11	0.070	
	●	1		LA38-B2BA21	0.070	
	●	1		LA38-B2BA31	0.070	
	●	1		LA38-B2BA51	0.070	
	●	1		LA38-B2BA61	0.070	
	●		1	LA38-B2BA22	0.070	
	●		1	LA38-B2BA42	0.070	
	●	1	1	LA38-B2BA35	0.080	
	●	1	1	LA38-B2BA45	0.080	
 LA38-B2BAΔ∞∞	⬆	1		LA38-B2BA3311	0.070	
	⬆	1		LA38-B2BA1331	0.070	
	⬆	1		LA38-B2BA2331	0.070	
	⊙		1	LA38-B2BA4322	0.070	
	⊙		1	LA38-B2BA4342	0.070	
	⊙	1	1	LA38-B2BA4325	0.080	
	⊙	1	1	LA38-B2BA4345	0.080	

Projecting head button



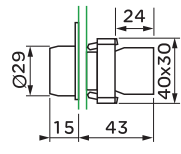
LA38-B2BLΔO

Description	Color	Contact		Model	Weight (kg)	Size
		NO	NC			
	●	1		LA38-B2BL21	0.070	
	●	1		LA38-B2BL31	0.070	
	●	1		LA38-B2BL51	0.070	
	●	1		LA38-B2BL61	0.070	
	●		1	LA38-B2BL22	0.070	
	●		1	LA38-B2BL42	0.070	
	●	1	1	LA38-B2BL35	0.080	
	●	1	1	LA38-B2BL45	0.080	

Silicone booted head button



LA38-B2BPΔO

Description	Color	Contact		Model	Weight (kg)	Size
		NO	NC			
	●	1		LA38-B2BP21	0.070	
	●	1		LA38-B2BP31	0.070	
	●	1		LA38-B2BP51	0.070	
	●	1		LA38-B2BP61	0.070	
	●		1	LA38-B2BP42	0.070	
	●	1	1	LA38-B2BP35	0.080	
	●	1	1	LA38-B2BP45	0.080	

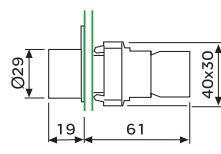
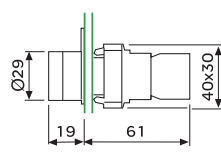
Flat illuminated head button



LA38-B2BW2ΔO



LA38-B2BW3ΔO

Description	Color	Contact		Model	Weight (kg)	Size
		NO	NC			
	○	1		LA38-B2BW2161		
	●	1		LA38-B2BW2361		
	●		1	LA38-B2BW2462		
	●	1		LA38-B2BW2561		
	●	1		LA38-B2BW2661		
	○	1		LA38-B2BW3161	0.090	
	●	1		LA38-B2BW3361	0.090	
	●		1	LA38-B2BW3462	0.090	
	●	1		LA38-B2BW3561	0.090	
	●	1		LA38-B2BW3661	0.090	



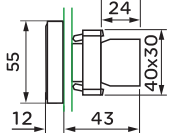





● Double and double illuminated head button

Model



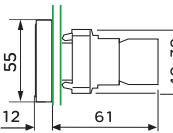





Model	Series	House	Head	Color	Indicator	Contact	Operation	Voltage		
LA38	—	B2	B	W8	3	2	3	—	S	AC DC 24V
LA38	B2	B: Metal	B: Double	2: K R 3: G R 4: W K	1: Flat without marks 2: Flat with I O 3: One flat and one projecting without marks 4: Flat I projecting O	1: NO 2: NC 3: 3NO 4: 2NC 5: NO+NC 6: 2NO+1NC 7: 3NO+1NC 8: 3NO 9: 2NO+2NC A: 4NO B: 4NC C: 5NC D: 1NO+2NC E: 5NO F: 4NO+1NC G: 6NC H: 1NO+3NC J: 3NC	Blank : self-reset S : self-locking	Blank: none AC DC 6V AC DC 12V AC DC 24V AC DC 36V AC DC 48V AC DC 60V AC DC 110V AC DC 127V AC DC 220V AC DC 380V		
			W8: Double illuminated	2: K R 3: G R 4: W K	1: Flat without marks 2: Flat with I O 3: One flat and one projecting without marks 4: Flat I projecting O					

Note: flat and projecting can be choosed for red key; color for light should be marked before the voltage (default is white).

Double button

	Description	Color	Contact		Model	Weight (kg)	Size
			NO	NC			
 LA38-B2BB△◇◇	2Flat		1	1	LA38-B2BB425	0.100	
			1	1	LA38-B2BB215	0.100	
			1	1	LA38-B2BB315	0.100	
			1	1	LA38-B2BB225	0.100	
			1	1	LA38-B2BB325	0.100	
			1	1	LA38-B2BB345	0.100	
	1Flat 1Projecting						

Double illuminated button


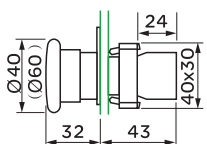
	Description	Color	Contact		Model	Weight (kg)	Size
			NO	NC			
 LA38-B2BW8△◇◇	2Flat		1	1	LA38-B2BW8425	0.120	
			1	1	LA38-B2BW8215	0.120	
			1	1	LA38-B2BW8315	0.120	
			1	1	LA38-B2BW8225	0.120	
			1	1	LA38-B2BW8325	0.120	
			1	1	LA38-B2BW8345	0.120	
	1Flat 1Projecting						

● Mushroom and mushroom illuminated head button


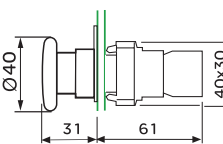
Model

Model	Series	House	Head	Color	Contact	Operation	Voltage
LA38	B2	B	W4	46	1	S	AC DC 24V
LA38	B2	B: Metal	C: $\Phi 40$ R: $\Phi 60$	1: W 2: K 3: G 4: R 5: Y 6: B	1: NO 2: NC 3: 3NO 4: 2NC 5: NO+NC 6: 2NO+1NC 7: 3NO+1NC 8: 3NO 9: 2NO+2NC A: 4NO B: 4NC C: 5NC D: 1NO+2NC E: 5NO F: 4NO+1NC G: 6NC H: 1NO+3NC J: 3NC	Blank: none Blank: self-reset S: self-locking	AC DC 6V AC DC 12V AC DC 24V AC DC 36V AC DC 48V AC DC 60V AC DC 110V AC DC 127V AC DC 220V AC DC 380V
			W4: illuminated $\Phi 40$	16: W 36: G 46: R 56: Y 66: B			

Mushroom head button

Image	Contact		Model	Weight (kg)	Size
	NO	NC			
 <p>LA38-B2BCΔO LA38-B2BRΔO</p>	●	1	LA38-B2BC21	0.085	
	●	1	LA38-B2BC31	0.085	
	●	1	LA38-B2BC51	0.085	
	●	1	LA38-B2BC61	0.085	
	●	1	LA38-B2BC42	0.085	
	●	1 1	LA38-B2BC35	0.100	
	●	1 1	LA38-B2BC45	0.100	

Mushroom illuminated button


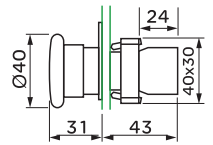

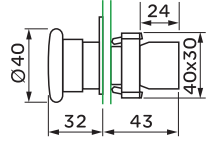

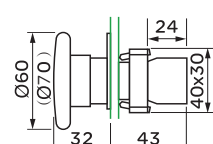

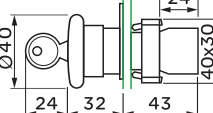
Image	Contact		Model	Weight (kg)	Size
	NO	NC			
 <p>LA38-B2BW4ΔO</p>	○	1	LA38-B2BW4161	0.100	
	●	1	LA38-B2BW4361	0.100	
	●	1	LA38-B2BW4462	0.100	
	●	1	LA38-B2BW4561	0.100	
	●	1	LA38-B2BW4661	0.100	

Emergency stop button

Model

Model	Series	House	Head	Color	Contact
LA38	B2	B	T	4	2
LA38	B2	B: Metal	T: Push-pull $\Phi 40$ S1: Key rotary $\Phi 40$ S5: Rotary $\Phi 40$ S6: Rotary $\Phi 60$ S7: Rotary $\Phi 70$	1: W 2: K 3: G 4: R 5: Y 6: B	1: NO 2: NC 3: 3NO 4: 2NC 5: NO+NC 6: 2NO+1NC 7: 3NO+1NC 8: 3NO 9: 2NO+2NC A: 4NO B: 4NC C: 5NC D: 1NO+2NC E: 5NO F: 4NO+1NC G: 6NC H: 1NO+3NC J: 3NC

Push-pull/Key rotary/Rotary



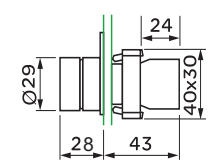

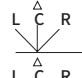
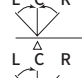
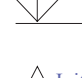
Description	Contact		Model	Weight (kg)	Size
	NO	NC			
 Push-pull Red LA38-B2BT Δ O	$\Phi 40$	1	LA38-B2BT42	0.105	
	$\Phi 40$	1 1	LA38-B2BT45	0.120	
 Rotary LA38-B2BS5 Δ O	● $\Phi 40$	1	LA38-B2BS521	0.085	
	● $\Phi 40$	1	LA38-B2BS531	0.085	
	● $\Phi 40$	1	LA38-B2BS542	0.085	
	● $\Phi 40$	1 1	LA38-B2BS545	0.100	
 Rotary LA38-B2BS6 Δ O LA38-B2BS7 Δ O	● $\Phi 60$	1	LA38-B2BS621	0.095	
	● $\Phi 60$	1	LA38-B2BS631	0.095	
	● $\Phi 60$	1	LA38-B2BS642	0.095	
	● $\Phi 60$	1 1	LA38-B2BS645	0.110	
	● $\Phi 70$	1	LA38-B2BS742	0.105	
 Key rotary Red LA38-B2BS14O	$\Phi 40$	1	LA38-B2BS142	0.115	
	$\Phi 40$	1 1	LA38-B2BS145	0.130	

Short, long, key and illuminated handle selector switch

Model

Model	Series	House	Handle	Gear	Color	Contact	Voltage
LA38	B2	B	W5	2	3	1	AC DC 24V
LA38	B2	B: Metal	D: Short handle J: Long handle G: Key handle W5: Short illuminated handle	2: 2-position stay out 3: 3-position stay out 4: 2-position right return 5: 3-position return to center 7: 3-position left return 0: 3-position stay out and key pull out 1: 2-position stay out and key right pull out 2: 2-position stay out and key left pull out 3: 3-position stay out and key center pull out 4: 2-position stay out and key left/right pull out 5: 3-position stay out and key left/right pull out 6: 2-position left return and key left pull out 7: 3-position return center and key center pull out 9: 3-position stay out and key left pull out A: 3-position left return and key center/right pull out B: 3-position left return and key right pull out 2: 2-position stay out 3: 3-position stay out	Blank: Default is black None 1: W 3: G 4: R 5: Y 6: B	1: NO 2: NC 3: 3NO 4: 2NC 5: NO+NC 6: 2NO+1NC 7: 3NO+1NC 8: 3NO 9: 2NO+2NC A: 4NO B: 4NC C: 5NC D: 1NO+2NC E: 5NO F: 4NO+1NC G: 6NC H: 1NO+3NC J: 3NC	Blank: none AC DC 6V AC DC 12V AC DC 24V AC DC 36V AC DC 48V AC DC 60V AC DC 110V AC DC 127V AC DC 220V AC DC 380V

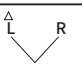
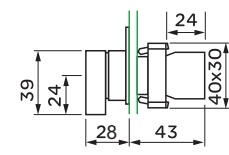
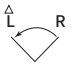
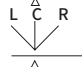
Short handle

Description	Position	Contact		Model	Weight (kg)	Size
		NO	NC			
 LA38-B2BD□O		1		LA38-B2BD21	0.080	
		1	1	LA38-B2BD25	0.090	
		1		LA38-B2BD41	0.080	
		1	1	LA38-B2BD45	0.090	
3-position		2		LA38-B2BD33	0.090	
		2		LA38-B2BD53	0.090	
		2		LA38-B2BD73	0.090	

Marking:  Locking  Spring return  Initial position

Long handle

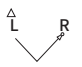
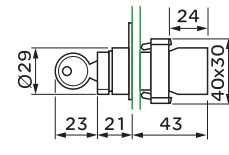
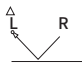


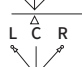

LA38-B2BJ□○

Description	Position	Contact		Model	Weight (kg)	Size
		NO	NC			
2-position		1		LA38-B2BJ21	0.085	
		1	1	LA38-B2BJ25	0.100	
		1		LA38-B2BJ41	0.085	
		1	1	LA38-B2BJ45	0.100	
3-position		2		LA38-B2BJ33	0.100	
		2		LA38-B2BJ53	0.100	
		2		LA38-B2BJ73	0.100	

 Marking:  Locking  Spring return  Initial position



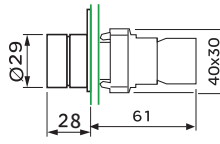

Key handle


LA38-B2BG□○

Description	Position	Contact		Model	Weight (kg)	Size
		NO	NC			
2-position		1		LA38-B2BG11	0.100	
		1	1	LA38-B2BG15	0.115	
		1		LA38-B2BG21	0.100	
		1	1	LA38-B2BG25	0.115	
		1		LA38-B2BG41	0.100	
		1	1	LA38-B2BG45	0.115	
		1		LA38-B2BG61	0.100	
		1	1	LA38-B2BG65	0.115	
3-position		2		LA38-B2BG33	0.115	
		2		LA38-B2BG53	0.115	
		2		LA38-B2BG73	0.115	
		2		LA38-B2BG93	0.115	
		2		LA38-B2BG03	0.115	
		2		LA38-B2BGA3	0.115	
		2		LA38-B2BGB3	0.115	

 Marking:  Locking  Spring return  key pull out  Initial position


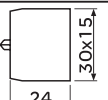
Illuminated handle

Description	Position	Color	Contact		Model	Weight (kg)	Size
			NO	NC			
 LA38-B2BW5□△O	2-position 	White	1		LA38-B2BW5211	0.090	
		Green	1		LA38-B2BW5231	0.090	
		Red		1	LA38-B2BW5242	0.090	
		Yellow	1		LA38-B2BW5251	0.090	
		Blue	1		LA38-B2BW5261	0.090	
	3-position 	White	2		LA38-B2BW5313	0.105	
		Green	2		LA38-B2BW5333	0.105	
		Red	2		LA38-B2BW5343	0.105	
		Yellow	2		LA38-B2BW5353	0.105	
		Blue	2		LA38-B2BW5363	0.105	

Marking:  Locking  Spring return

Accessory

Contact module

Description	Contact		Model	Weight (kg)	Size
	NO	NC			
 B2BE10□ Auxiliary/replaceable contacts Screw in terminal	1		B2BE101	0.015	
		1	B2BE102	0.015	

Lamp module

Description	Color	Model	Weight (kg)	Size
Built-in light emitting element	Green	B2BV63	0.020	
	Red	B2BV64	0.020	
	Yellow	B2BV65	0.020	
	Blue	B2BV66	0.020	

Locking module


Description	Model	Weight (kg)	Size

B2A/C series



Technical Specification


Applicable environment

Standard	UL508/60947-1, EN60947-5-1, GB14048.1, GB/T14048.5
Certification	 TUV, CSA, CE, CCC, CCS
Salt spray	TH
Temperature	Working: - 25 ~ +70°C, Storage: - 40 ~ +70°C
Vibration	Mushroom: 8 g, others: 15 g (40 Hz < f < 500 Hz), IEC 68-2-6
Shock	Pushbutton: 70g, Mushroom: 15g, Selector switch: 200g, IEC68-2-27
ESP	I, IEC536&NFC20-030
Protection	B2A: Emergency stop button: IP40 (customized IP65), others IP40 B2C: IP65
Mechanical life	Pushbutton: 3 000 000, Emergency stop button: 300 000, Selector switch: 1 000 000
Electrical life	Pushbutton: more than 100 000

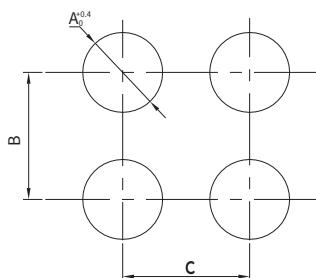
Contact characteristic

	AC-15 : $U_e=240V, I_e=3A$; $U_e=380V, I_e=1.9A$ DC-13 : $U_e=250V, I_e=0.27A$; $U_e=125V, I_e=0.55A$
Rated insulation voltage	$U_i=690V$, Pollution degree 3
Rated impulse resistance voltage	$U_{imp}=6kV$
Action	Slow(NO or NC), NC is direct disconnect
Reliability	Safety device(Emergency stop button): NC is reliable breaking, IEC 60947-5-1 part 3
Connector	CENELEC EN50013
Short circuit protection	10A gl core type IEC269-1, VDE0660-200
Rate power	EN60947-5-1 Annex C, Suitable for AC-15 and DC-13 Operating frequency: 3600 times/hrs
Wiring	Screw: min: $1 \times 0.5mm^2$, max: $2 \times 1.5mm^2$ or $1 \times 2.5mm^2$ Tightening torque: 0.8N.m

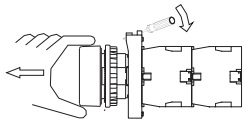
Light source characteristic

	EN60947-5-1, GB/T14048.5
Light source	LED
Rated voltage	ACDC6V, 12V, 24V, 36V, 48V, 60V, 110V, 127V, 220V, 380V
Life cycle	more than 30 000hrs
Voltage limit	$0.85U_e \leq U \leq 1.1U_e$
Color	

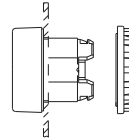
Mounting hole size



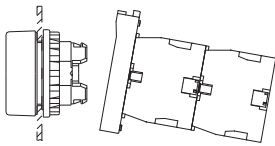
Head Type	A	B	C	Note
Flat	φ22.3	≥50	≥35	1. Unit:mm 2. B and C is minimum size
Switch		≥50	≥35	
Mushroom		≥50	≥42	
Oversize mushroom		≥70	≥70	
Double		≥60	≥35	

Technical Specification
Installation method


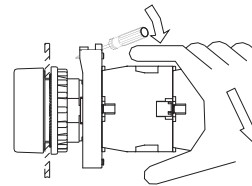
1. Insert the one-line batch into the semi-circular hole on the fixed seat, press down, and remove the operating part from the fixed seat.



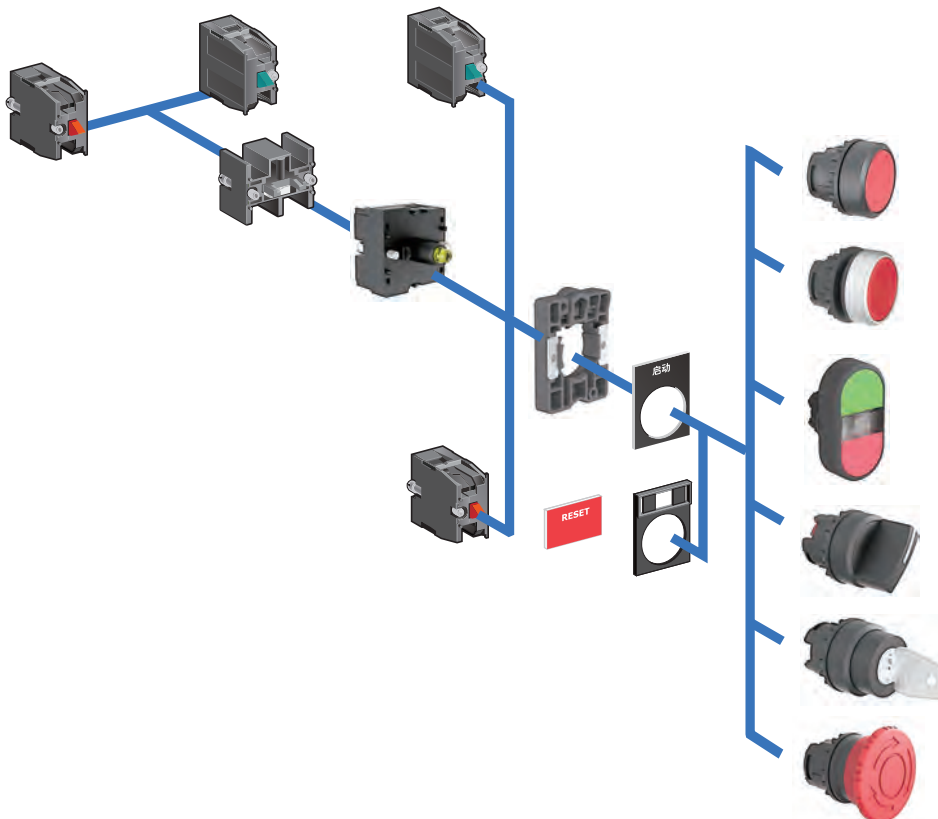
2. Insert the operating part into the mounting hole in front of the panel, screw the fastening ring on the back of the panel, and the triangular mark on the operating part faces upward.



3. Fasten the fixed seat and contact group. The triangle marks on the fixed seat are in the same direction as the triangle marks on the operating part. It's on the bottom side, then it's on the top side.



4. When disassembling, insert the one-line batch into the semicircular hole on the fixed seat and press down to remove the fixed seat and contact group.

Composition and accessories


● Flat and flat illuminated head button

Model

Model	Series	House	Head	Color	Indicator	Contact	Operation	Voltage
LA38	B2	A	A	4	31	1	S	
LA38	B2	A: Matte black C: Metal silver	A: Flat head W3: Flat illuminated head	1: W 2: K 3: G 4: R 5: Y 6: B 16: W 36: G 46: R 56: Y 66: B	Blank : none 31 : I 32 : O 33 : ↑ 34 : STOP 36 : II Customized Blank : none	1 : NO 2 : NC 3 : 3NO 4 : 2NC 5 : NO+NC 6 : 2NO+1NC 7 : 3NO+1NC 8 : 3NO 9 : 2NO+2NC A : 4NO B : 4NC C : 5NC D : 1NO+2NC E : 5NO F : 4NO+1NC G : 6NC H : 1NO+3NC J : 3NC	Blank : self-reset S : self-locking	Blank: none AC DC 6V AC DC 12V AC DC 24V AC DC 36V AC DC 48V AC DC 60V AC DC 110V AC DC 127V AC DC 220V AC DC 380V

Flat head button

Description	Color	Contact		Model	Weight (kg)	Size
		NO	NC			
<p>LA38-B2A ΔO</p> <p>LA38-B2C ΔO</p>	○	1		LA38-B2■A11	0.031	
	●	1		LA38-B2■A21	0.031	
	●	1		LA38-B2■A31	0.031	
	●	1		LA38-B2■A51	0.031	
	●	1		LA38-B2■A61	0.031	
	●		1	LA38-B2■A22	0.031	
	●		1	LA38-B2■A42	0.031	
	●	1	1	LA38-B2■A35	0.046	
	●	1	1	LA38-B2■A45	0.046	
<p>LA38-B2AA ΔΔO</p> <p>LA38-B2CA ΔΔO</p>	↑	1		LA38-B2■A3311	0.031	
	↑	1		LA38-B2■A1331	0.031	
	↑	1		LA38-B2■A2331	0.031	
	○		1	LA38-B2■A4322	0.031	
	STOP		1	LA38-B2■A4342	0.031	
	○	1	1	LA38-B2■A4325	0.046	
	STOP	1	1	LA38-B2■A4345	0.046	

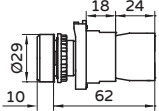
Note : Matte black is A, metal silver is C.



LA38-B2AW3ΔO



LA38-B2CW3ΔO

Description	Color	Contact		Model	Weight (kg)	Size
		NO	NC			
	○	1		LA38-B2■W3161	0.051	
	●	1		LA38-B2■W3361	0.051	
	●		1	LA38-B2■W3462	0.051	
	●	1		LA38-B2■W3561	0.051	
	●	1		LA38-B2■W3661	0.051	

Note : Matte black is A, metal silver is C.



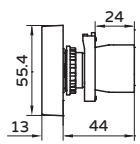





● Double and double illuminated head button

Model



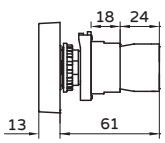




Model	Series	House	Head	Color	Indicator	Contact	Operation	Voltage
LA38	B2	A	W8	3	2	3	S	AC DC 24V
LA38	B2	A: Matte black C: Metal silver	B: Double	2: K R 3: G R 4: W K	1: Flat without marks 2: Flat with I O	1: NO 2: NC 3: 3NO 4: 2NC 5: NO+NC 6: 2NO+1NC 7: 3NO+1NC 8: 3NO 9: 2NO+2NC A: 4NO B: 4NC C: 5NC D: 1NO+2NC E: 5NO F: 4NO+1NC G: 6NC H: 1NO+3NC J: 3NC	Blank: self-reset S: self-locking	Blank: none AC DC 6V AC DC 12V AC DC 24V AC DC 36V AC DC 48V AC DC 60V AC DC 110V AC DC 127V AC DC 220V AC DC 380V
			W8: Double illuminated	2: K R 3: G R 4: W K	1: Flat without marks 2: Flat with I O			

Note: Two-position button with light, the color of the light is noted in front of the voltage (default is white).

Double head

	Color	Contact	Model	Weight	Size
		NO NC		(kg)	
 LA38-B2AB△○○		1 1	LA38-B2■B425	0.054	
 LA38-B2CB△○○		1 1	LA38-B2■B215	0.054	
		1 1	LA38-B2■B315	0.054	
		1 1	LA38-B2■B225	0.054	
		1 1	LA38-B2■B325	0.054	

Double illuminated head

	Color	Contact	Model	Weight	Size
		NO NC		(kg)	
 LA38-B2AW8△○○		1 1	LA38-B2■W8425	0.074	
		1 1	LA38-B2■W8215	0.074	
		1 1	LA38-B2■W8315	0.074	
		1 1	LA38-B2■W8225	0.074	
		1 1	LA38-B2■W8325	0.074	






Note: Matte black is A, metal silver is C.

Emergency stop button

Model

Model	Series	Head	Color	Contact
LA38	B2A	T	4	2
LA38	B2A	T : Push-pullΦ40 S5 : RotaryΦ40 W6 : Illuminated rotary Φ40 WJ : Indicator push-pull and rotaryΦ40 MJ : push-pull and rotaryΦ40	1: W 2: K 3: G 4: R 5: Y 6: B	1 : NO 2 : NC 3 : 3NO 4 : 2NC 5 : NO+NC 6 : 2NO+1NC 7 : 3NO+1NC 8 : 3NO 9 : 2NO+2NC A : 4NO B : 4NC C : 5NC D : 1NO+2NC E : 5NO F : 4NO+1NC G : 6NC H : 1NO+3NC J : 3NC

Emergency stop button

Description	Contact	Model	Weight (kg)	Size
 Push-pull Red LA38-B2ATΔO	Ø40	1	LA38-B2AT42	0.074
	Ø40	1 1	LA38-B2AT45	0.089
 Rotary LA38-B2AS5ΔO	● Ø40	1	LA38-B2AS521	0.038
	● Ø40	1	LA38-B2AS531	0.038
	● Ø40	1	LA38-B2AS542	0.038
	● Ø40	1 1	LA38-B2AS545	0.053
 Illuminated rotary LA38-B2AW6ΔO	● Ø40	1	LA38-B2AW621	0.038
	● Ø40	1	LA38-B2AW631	0.038
	● Ø40	1	LA38-B2AW642	0.038
	● Ø40	1 1	LA38-B2AW645	0.053
 Indicator push- pull and rotary Red LA38-B2AWJΔO	Ø40	1	LA38-B2AWJ42	0.049
	Ø40	1 1	LA38-B2AWJ45	0.063
 Push-pull and rotary Red LA38-B2AMJΔO	Ø40	1	LA38-B2AMJ42	0.049
	Ø40	1 1	LA38-B2AMJ45	0.063

Short and key handle selector switch

Model

Model	Series	House	Handle	Gear	Contact
LA38	B2	A	D	3	3
LA38	B2	A: Matte black C: Metal silver	D: Short handle G: Key handle	2: 2-position stay out 3: 3-position stay out 5: 3-position return to center 7: 3-position left return 0: 3-position stay out and key pull out 1: 2-position stay out and key right pull out 3: 3-position stay out and key center pull out 4: 2-position stay out and key left/right pull out	1: NO 2: NC 3: 3NO 4: 2NC 5: NO+NC 6: 2NO+1NC 7: 3NO+1NC 8: 3NO 9: 2NO+2NC A: 4NO B: 4NC C: 5NC D: 1NO+2NC E: 5NO F: 4NO+1NC G: 6NC H: 1NO+3NC J: 3NC

Short and key

Description	Position	Contact		Model	Weight (kg)	Size
		NO	NC			
<p>LA38-B2AD□□</p>		1		LA38-B2■D21	0.038	
		1	1	LA38-B2■D25	0.053	
<p>LA38-B2CD□□</p>		2		LA38-B2■D33	0.053	
		2		LA38-B2■D53	0.053	
		2		LA38-B2■D73	0.053	
<p>LA38-B2AG□□</p>		1		LA38-B2■G11	0.059	
		1	1	LA38-B2■G15	0.074	
		1		LA38-B2■G41	0.059	
		1	1	LA38-B2■G45	0.074	
<p>LA38-B2CG□□</p>		2		LA38-B2■G33	0.074	
		2		LA38-B2■G03	0.074	

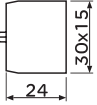
Note : Matte black is A, metal silver is C.

Marking: Locking Spring return key pull out Initial position

Accessory

Contact module


B2BE10

Description	Contact		Model	Weight (kg)	Size
	NO	NC			
Auxiliary/replaceable contacts Screw in terminal	1		B2BE101	0.015	
	1		B2BE102	0.015	

Lamp module


B2BV6

Description	Color	Model	Weight (kg)	Size
Built-in light emitting element	●	B2BV63	0.020	
	●	B2BV64	0.020	
	●	B2BV65	0.020	
	●	B2BV66	0.020	

Locking module


B2BF01

Description	Model	Weight (kg)	Size

● Accessory

Waterproof cover

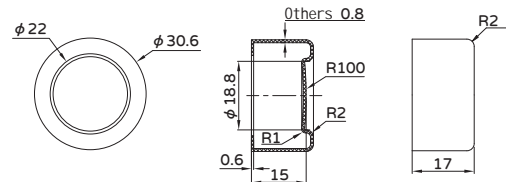


QA-FS1

Description

Install on the
button head
IP67

Size



Legend

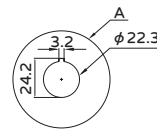


QE-JP

Description

φ40
φ60
For
emergency
stop button

Size



Small	A1	φ60
Big	A2	φ90

Protected cover

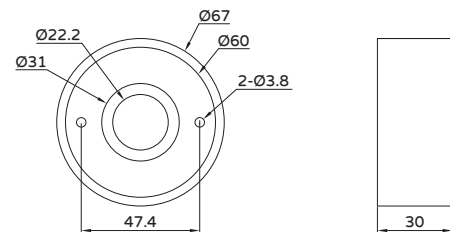


AQGD-22

Description

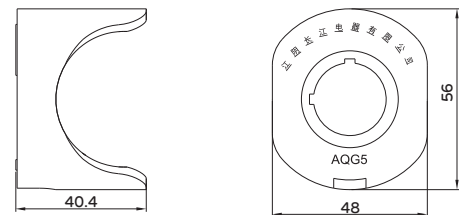
For
emergency
stop button

Size



AQG5

φ22
Install on the
mushroom head



Protected cover

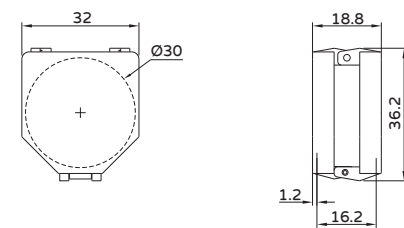


AQG8

Description

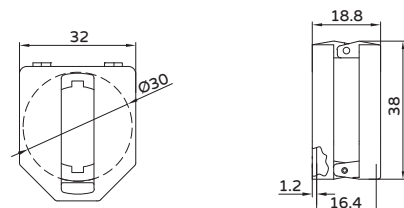
φ22
Transparent
Install on the
button head

Size



AQGX8

φ22
Transparent
Install on the 3-position
selector switch head



Main products:

- ◆AD11 series signal lamp, tower lamp
- ◆CJK22 series signal lamp, button
- ◆UK series terminal connector
- ◆CJ series relay
- ◆Construction machinery lamp, switch, socket
- ◆PCM series integrated module
- ◆Metal signal lamp, button
- ◆LA38 series button
- ◆LW38 series change-over switch
- ◆CJH(BH) series current transformer
- ◆ANH series button box and case

Welcome to call us for this sample manual or visit our website for more inquiry



江阴长江电器股份有限公司
JIANGYIN CHANGJIANG ELECTRIC APPLIANCE CO., LTD.

地址：江苏省江阴市澄江东路99号
Add: No.99 Chengjiang R.(E), Jiangyin, Jiangsu, China
电话 (Tel) : 0510-86858743/0510-86852075
传真 (Fax) : 0510-86851360/0510-86853798
技术咨询: 0510-86851360/0510-86197012
Http://www.cjel.com E-mail: ad11@cjel.com